

The Miro Cube 2 range of LED fixtures is engineered to provide lighting designers with incredible light output and precise light control in a sleek form factor. The 50W Miro Cube 2 is packed with state-of-the-art technology and installs discreetly in any indoor location thanks to its 4-in. (10cm) cube-shaped design.

Available in RGBW (4C), RGBA (4CA), or tunable white light (WNC) models, Miro Cube 2 provides solutions for pastels, warm tones, saturated colors, and high CRI white light. The patented Ludicrous Mode™ inside Miro Cube 2 provides maximum output, no matter the hue or color temperature, by automatically redistributing the fixture's maximum power to provide unparalleled light output for its size.

Miro Cube 2 fixtures are an excellent choice for illuminating theatrical stages, themed environments, retail stores, broadcast studios, or any other installation that needs a voluminous amount of light – but doesn't have space for large, bulky fixtures.



WNC - Tunable White

Project:	Type:
Quantity:	Location:



4C - RGBW



4CA - RGBA

KEY FEATURES

- Patented Ludicrous Mode™ intelligently redistributes the fixture's power to produce maximum brightness for any color temperature or hue.
- Master Dim Mode enables users to set their hue or color temperature, then dim the fixture via a single channel.
- Multiple specifiable control options, including a simple LCD user interface, RDM compatible DMX, and 0-10VDC.
- Flicker-free dimming via 16kHz PWM in 8- or 16-bit resolution, or NO PWM mode.
- Ships with a kit of 20°, 30°, and the reversible 40°R60° OPTI-SCULPT™ beam-shaping lenses. Other OPTI-SCULPT Lens accessories are also available.
- Barn Doors, Egg Crate Louver, and Top Hat accessories are available for glare control.
- Specifiable wiring & connectors: Hardwired pigtail with RJ45 data connection (RJ45) or Neutrik Powercon with 5-pin XLR connectors (Classic).
- Fixtures can be Pre-Tuned to a specifiable hue or color temperature, negating the need for a controller when installed in set-and-forget applications.
- Controllable via Bluetooth with a mobile device using the myMIX® Connect accessory and the myMIX® App.

Miro Cube[®] 2

DESIGNED BY THE BLACK TANK



SPECIFICATIONS

Specifications

Details for all fixtures

Input Voltage:	90-240VAC 50/60H
Power Consumption:	50W
Lumen Maintenance:	72,600 hours at L80 at 45°C
Operating Temp.:	-13° to 113°F (-20° to 45° C)
Humidity:	0-95% non-condensing
Dimensions (without yoke):	4.3 in x 4.3 in x 4.9 in (109mm x 109mm x 125mm)
Dimensions(with yoke):	4.3 in x 6.1 in x 4.9 in (109mm x 155mm x 125mm)
Weight:	2.1 lbs (0.95 kg)
Housing:	Powder coated, die-cast aluminum
Approvals:	cETL, ETL, CE, UKCA, FCC Class A Compliant; Dry Locations
IP Rating:	IP20



LED Source Specifications

Specification	WNC	4C	4CA
Max Output:	4100lm	1443lm	1135lm
Color Temp. Range:	2700K-6000K	3200K-10,000K	2200K-10,000K
Avg. CRI (White Light):	92+	80+	92+
LED Color Specifications:	Warm: 2700K Neutral: 4000K Cool: 6000K	R: 625nm G: 525nm B: 453nm W: x0.32, y0.32 (6500K)	R: 625nm G: 525nm B: 453nm A: x0.57, y0.42 (Amber)
True Rosco Color™ Gel Matches:	N/A	44	54

Data, Wiring, & Finish Specifications

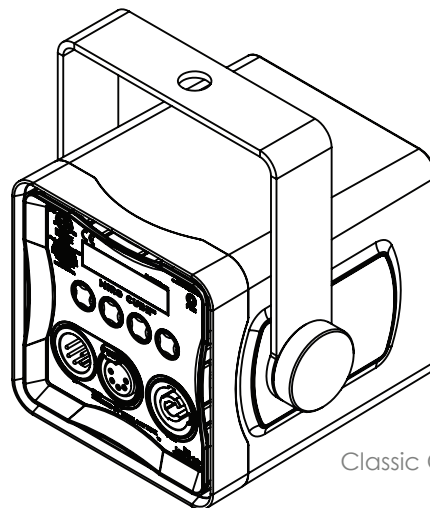
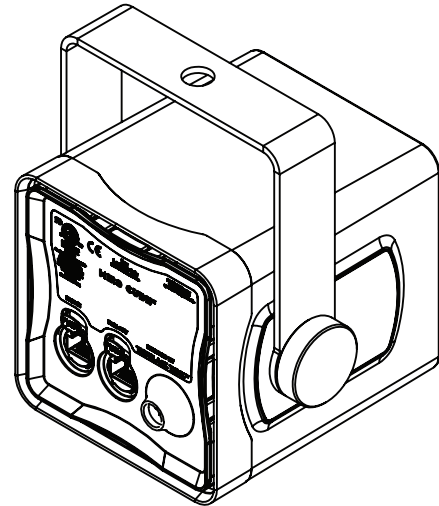
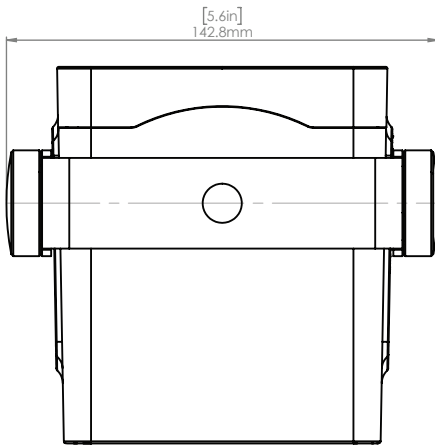
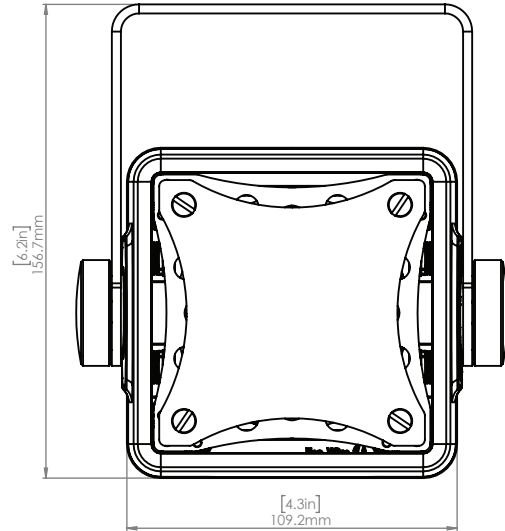
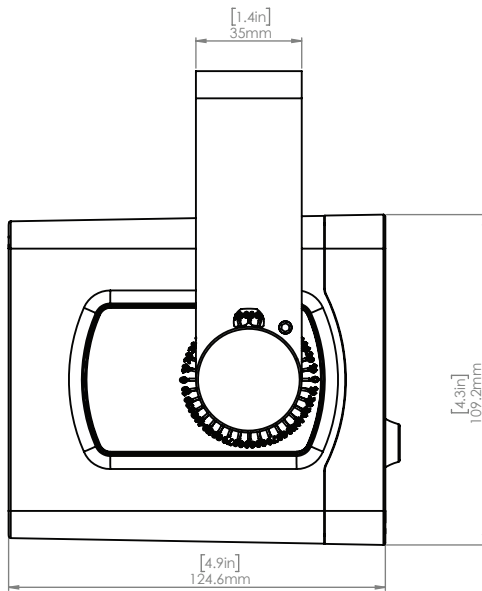
Specification	RJ45	Classic
Power Input	Hard-wired pigtail (user end unterminated), 6 feet/1.82 meters	Neutrik Powercon, 6.56 feet/2 meters
Data Connector:	RJ45 In/Out Connectors	5-Pin XLR In/Out Connectors
Data/Control:	DMX/RDM or 0-10V Dimmable	DMX/RDM and Full Text LCD screen user-interface
myMIX [®] Connect Compatible:	Yes	No
Finish:	Black or White	Black Only

Miro Cube[®] 2

DESIGNED BY THE BLACK TANK



DIMENSIONS/DRAWINGS



Classic Conversion

MIRO CUBE 2 SPECIFICATION ORDER CODES

Use these codes to specify your fixture type.

Unit & LED	Finish*	Data & Wiring	Mounting**	OPTI-SCULPT Lens	Optical Accessory****
MIRO-WNC : Miro Cube 2 WNC (2700K - 6000K) MIRO-4C : Miro Cube 2 4C (RGBW) MIRO4CA: Miro Cube 2 4CA (RGBA)	B : Black W : White	R : RJ45 (hard-wired pigtail and RJ45 data in/out) R-M : RJ45 with myMIX CONNECT (Bluetooth App Control) C : Classic (Powercon input, 5-pin XLR in/out, Onboard UI)	P : Pole Mount W : Wall Mount S : Surface Mount Y : Stucchi Track Adapter Z : Custom Track Adapter (Halo, Global, etc.) N : N/A (Standard Yoke Only)	O : Miro Cube 2 OPTI-SCULPT Lens Kit (included with fixture: 20°,30°,40°R60°)*** N : None	B : Barn Door with Adaptor Y : Top Hat E : Egg Crate (Black finish only) N : None

EXAMPLE:

MIRO-4CA - B - R - Y - O - E

I.e. MIRO-4CA-BRYOE =

Miro Cube 2 4CA (RGBA) in a black finish with hard-wired pigtail and RJ45 data in/out, Stucchi data track adapter, the included OPTI-SCULPT Lens Kit, black egg crate.

**If any of these options are selected, please complete the Custom Modifications section below.*

**Classic Conversion fixtures are available in a black finish only. Custom finish fixtures are subject to additional cost, MOQs, and longer lead times.*

***Rosco provided Stucchi Track Adapter and track system are from Stucchi's ONETRACK UL and are available for 120V 2-circuit or 3-circuit track.*

Contact Project.Management@roscocom to order track system. Custom track adapters are not available for all styles of track.

****See accessories table on the next page for full list of available OPTI-SCULPT Lenses.*

*****Barn Door and Top Hat come in black and white finish and will match the fixtures finish. Egg crate comes in black finish only.*

Name: _____ Date: _____

Company Name: _____

Project: _____

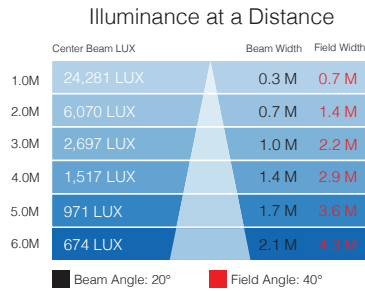
Miro Cube® 2 Accessories

Item Code	Description
515800000046	myMIX Connect
515800000045	Miro Cube 2 Egg Crate Louver - Black
515800000042	Miro Cube 2 Top Hat - White
515800000041	Miro Cube 2 Top Hat - Black
515800000040	Miro Cube 2 Barn Doors - White
515800000039	Miro Cube 2 Barn Doors - Black
515911110006	Miro Cube 2 Barn Doors Adaptor - Black
296000005107	Rosco Surface Mount Accessory - White
296000005106	Rosco Surface Mount Accessory - Black
296000005105	Rosco Wall Mount Accessory - White
296000005104	Rosco Wall Mount Accessory - Black
296000005103	24" Stainless Steel Strap Rosco Pole Mount Kit - 3-Pack
296000005102	Rosco Pole Mount Accessory - White
296000005101	Rosco Pole Mount Accessory - Black
292000808602	DMX 5-Pin Female to RJ45
292000808601	DMX 5-Pin Male to RJ45
108M2OS2040S	Miro Cube 2 - OPTI-SCULPT™ Lens - 20°x40°
108M2OS1545S	Miro Cube 2 - OPTI-SCULPT™ Lens - 15°x45°
108M2OS1535S	Miro Cube 2 - OPTI-SCULPT™ Lens - 15°x35°
108M2OS1060S	Miro Cube 2 - OPTI-SCULPT™ Lens - 10°x60°
108M2OS1040S	Miro Cube 2 - OPTI-SCULPT™ Lens - 10°x40°
108M2OS1030S	Miro Cube 2 - OPTI-SCULPT™ Lens - 10°x30°
108M2OS1020S	Miro Cube 2 - OPTI-SCULPT™ Lens - 10°x20°
10810M24060S	Miro Cube 2 - OPTI-SCULPT™ Lens - 40°R60° (reversible)
10810M2OS30S	Miro Cube 2 - OPTI-SCULPT™ Lens - 30°
10810M2OS20S	Miro Cube 2 - OPTI-SCULPT™ Lens - 20°
10810M2OS10S	Miro Cube 2 - OPTI-SCULPT™ Lens - 10°
515910150001	Miro Cube Powercon cord with Edison
525911160023	Miro Cube 2 Classic 2 Circuits Stucchi Track Adaptor - Black
525911160022	Miro Cube 2 Classic 2 Circuits Stucchi Track Adaptor - White
525911160021	Miro Cube 2 RJ45 2 Circuits Stucchi Track Adaptor - Black
525911160020	Miro Cube 2 RJ45 2 Circuits Stucchi Track Adaptor - White
525911160044	Miro Cube 2 Classic 3 Circuits Stucchi Track Adaptor - Black
525911160034	Miro Cube 2 Classic 3 Circuits Stucchi Track Adaptor - White
525911160043	Miro Cube 2 RJ45 3 Circuits Stucchi Track Adaptor - Black
525911160033	Miro Cube 2 RJ45 3 Circuits Stucchi Track Adaptor - White

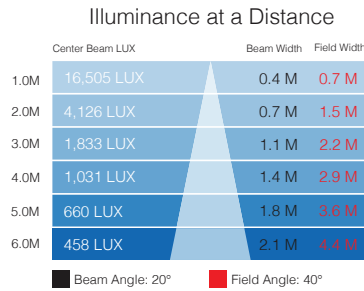
PHOTOMETRICS

WNC (2700-6000K Tunable White)

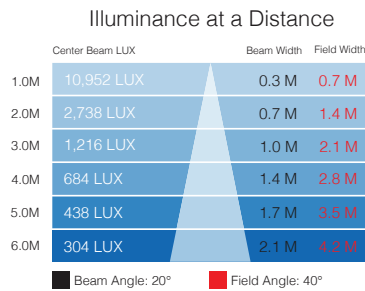
All On - No Lens Optic



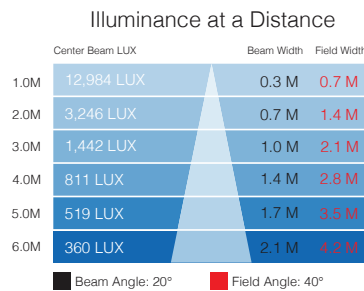
Full Cool White - No Lens Optic



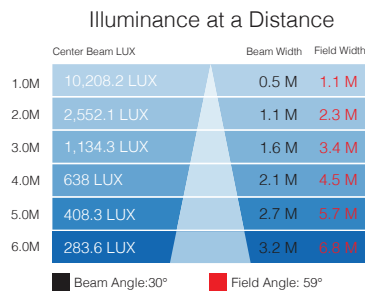
Full Warm White - No Lens Optic



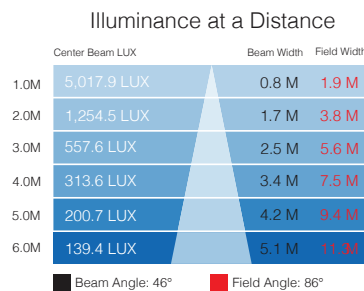
Full Neutral White - No Lens Optic



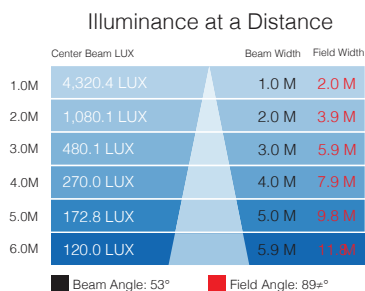
All LEDs On 20° OPTI-SCULPT



All LEDs On 40° OPTI-SCULPT



All LEDs On 60° OPTI-SCULPT

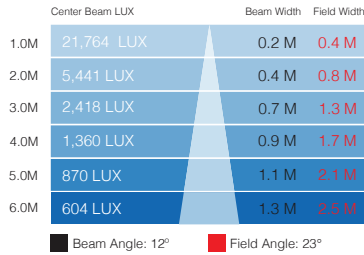


PHOTOMETRICS

4C (RGBW)

All LEDs On Native

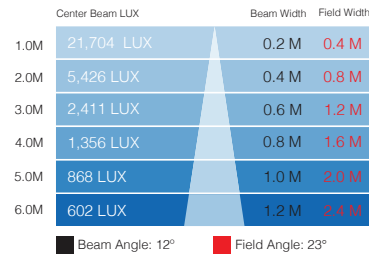
Illuminance at a Distance



4CA (RGBA)

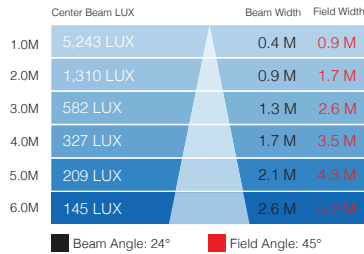
All LEDs On Native

Illuminance at a Distance



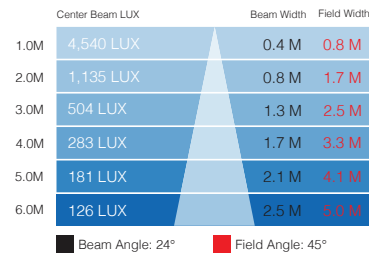
All LEDs On 20° OPTI-SCULPT

Illuminance at a Distance



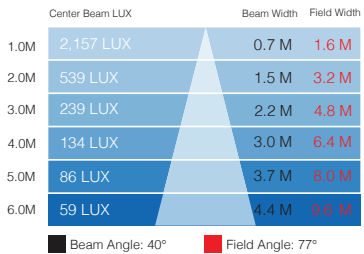
All LEDs On 20° OPTI-SCULPT

Illuminance at a Distance



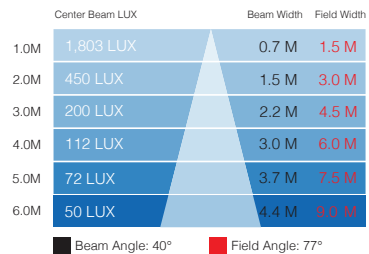
All LEDs On 40° OPTI-SCULPT

Illuminance at a Distance



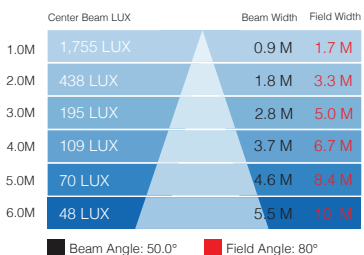
All LEDs On 40° OPTI-SCULPT

Illuminance at a Distance



All LEDs On 60° OPTI-SCULPT

Illuminance at a Distance



All LEDs On 60° OPTI-SCULPT

Illuminance at a Distance

