

X-Effects® LED Projector



Create dynamic lighting effects in a wide range of indoor or outdoor venues with this innovative LED effects projector. Capable of throws up to 65ft (20m) with four available lens options, the Rosco X-Effects LED Projector is engineered to create stunning illumination effects.

Using a maximum 90 watts of power, the Rosco X-Effects LED Projectors pack an amazing amount of output into a compact package – making them the ideal dynamic lighting fixtures for museums, aquariums and hospitality venues. Available in 5500K Cool White or RGBW LED models, the X-Effects LED generates vivid water, fire and other 3D effects by projecting light through their unique optical path of off-set, overlapping gobos.

Project:	Type:
Quantity:	Location:



KEY FEATURES

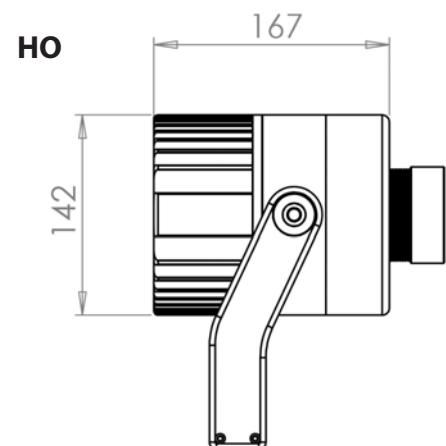
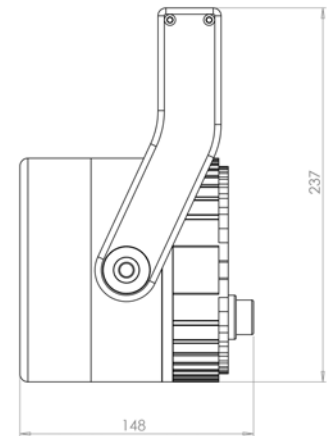
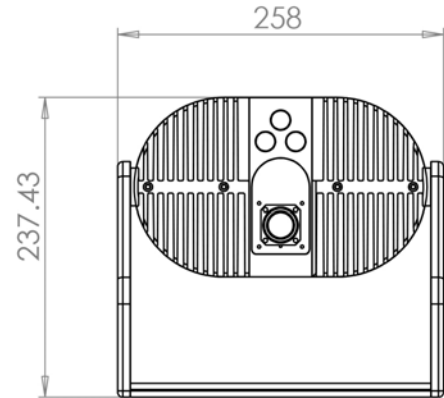
- 45W or 90W (HO) LED array with 5500K Cool White or RGBW LED options
- Four lens optics provide a wide range of beam angles: 19°, 30°, 50° and 70°
- Accepts gobos designed for the X-Effects LED projector to create vivid, dynamic 3D lighting effects
- Passive cooling for completely silent operation
- Accepts universal line voltage (100-240 VAC) enabling operation anywhere around the globe
- On-board dimming and speed controls
- DMX512 compatibility provides flicker-free dimming throughout the range: 100% ~ 0%
- RDM capable
- IP65 rated for outdoor use
- Color Options: Black or custom RAL Color

X-Effects® LED Projector



SPECIFICATIONS

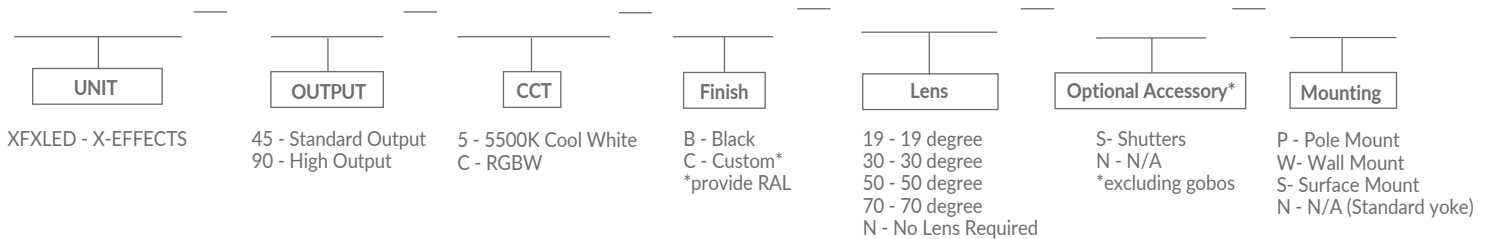
Input Voltage:	100-240VAC
Power Consumption:	45 or 90(HO) Watts at maximum output
Output:	1400 lumens / 3000 lumens (HO)
LED Array:	5500K or RGBW (White LED = 5500K)
Lumen Maintenance:	50,000 hours at 45C (LM-79-08)
Power Connection:	6-ft (2m) insulated with female UTL connector (user end unterminated)
Data:	DMX512 In/Out via UTL Connector on luminaire X-Effects LED 5500K – 5 Control Channels X-Effects LED RGBW – 8 Control Channels RDM compatible
Operating Temp.:	-13° to 113° F (-20° to 45° C)
Environment:	IP65 rated
Housing:	Powder Coated Aluminum
Approvals:	ETL / UL Standards #1573 and # 8750 cETL / CSA C22.2 #166 CE
Dimensions:	5.5”L x 10.1”W x 5.8”H 5.5”L x 10.1”W x 6.5”H - HO (14.2cm x 25.8cm x 14.8cm 14.2cm x 25.8cm x 16.7cm - HO)
Weight:	9 lbs (4.1 kg)/13 lbs (5.8 kg) HO



X-Effects® LED Projector



SPECIFICATION ORDER CODES



Example:

AFXLED — 90 — 5 — B — 50 — S — W

I.e. AFXLED90-5B-50SW =

X-Effects LED Standard Option, 5500K Cool White in Black with a 50-degree lens, a set of Shutters, and a Wall Mounting bracket.

Name: _____ Date: _____

Company Name: _____

Project: _____

X-Effects[®] LED Projector



X-Effects LED Accessories

Item Code	Description
297000000019	X-Effects LED Projector 19° Lens - Black
297000000030	X-Effects LED Projector 30° Lens - Black
297000000050	X-Effects LED Projector 50° Lens - Black
297000000070	X-Effects LED Projector 70° Lens - Black
2970000000S19	X-Effects LED Projector 19° Lens - Silver
2970000000S30	X-Effects LED Projector 30° Lens - Silver
2970000000S50	X-Effects LED Projector 50° Lens - Silver
2970000000S70	X-Effects LED Projector 70° Lens - Silver
297000000010	Rosco X-Effects LED Framing Shutters - Set of 4
296000010012	Safety Cable, 3' (1m)
296000005101	Rosco Pole Mount Accessory - Black
296000005103	3-pack 24 Stainless Steel Straps for Rosco Pole Mount
296000005104	Rosco Wall Mount Accessory - Black
296000005106	Rosco Surface Mount Accessory - Black

X-Effects LED Color Filter & Gobos

<i>Static Filter Part Numbers</i>	
297000000085	X-Effects LED Amber Fire Effect Filter
297000000090	X-Effects LED Green Aurora Effect Filter
297000000095	X-Effects LED Cyan Water Effect Filter
120PYYYYSFX	X-Effects LED Permacolor Dichroic Glass Filter YYYY = four digit color number
<i>Static Gobo Part Numbers</i>	
250XXXXXSFX	X-Effects LED Static Standard Steel Gobo XXXXX = five digit standard gobo number
255XXXXXSFX	X-Effects LED Static Image Glass Gobo XXXXXX = five digit gobo number
255XXXXXSFX	X-Effects LED Static ColorWave Gobo XXXXXX = five digit gobo number
2507210ISFX	X-Effects LED Static Custom Steel Gobo
260CUSBWSFX	X-Effects LED Static Custom B&W Glass Gobo
260CUS1CSFX	X-Effects LED Static Custom One-Color Glass Gobo
260CUS2CSFX	X-Effects LED Static Custom Two-Color Glass Gobo
260CUSMCSFX	X-Effects LED Static Custom Multi-Color Glass Gobo

<i>Dynamic X-Effects LED Gobo Part Numbers</i>	
297000000075	X-Effects LED Replacement Dynamic X-Effects Glass (96mm)
255XXXXDXFX	X-Effects LED Dynamic Image Glass Gobo XXXXXX = five digit gobo number
255XXXXDXFX	X-Effects LED Dynamic ColorWave Gobo XXXXXX = five digit gobo number
2507210IDFX	X-Effects LED Dynamic Custom Steel Gobo
260CUSBWDXFX	X-Effects LED Dynamic Custom B&W Glass Gobo
260CUS1CDXFX	X-Effects LED Dynamic Custom One-Color Glass Gobo
260CUS2CDXFX	X-Effects LED Dynamic Custom Two-Color Glass Gobo
260CUSMCDXFX	X-Effects LED Dynamic Custom Multi-Color Glass Gobo

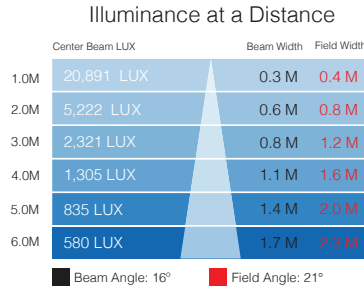
X-Effects® LED Projector

PHOTOMETRICS FOR 5500K & RGBW

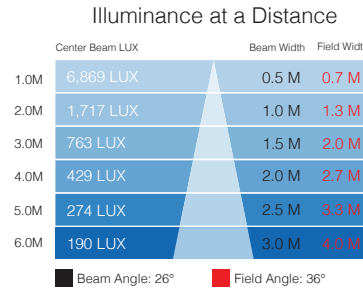


5500K

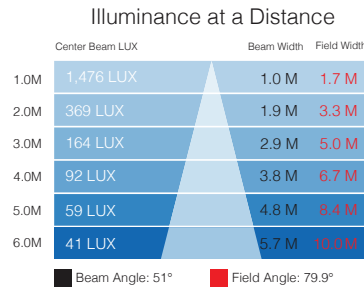
Photometric Data for X-Effects LED 5500K 19 Degree Lens



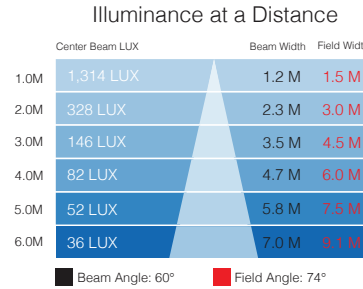
Photometric Data for X-Effects LED 5500K 30 Degree Lens



Photometric Data for X-Effects LED 5500K 50 Degree Lens

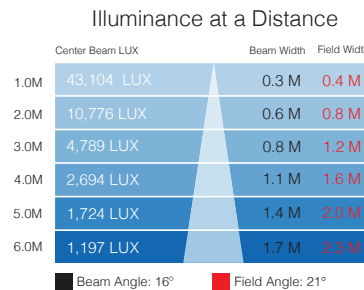


Photometric Data for X-Effects LED 5500K 70 Degree Lens

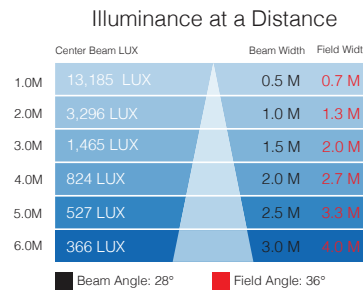


5500K HO

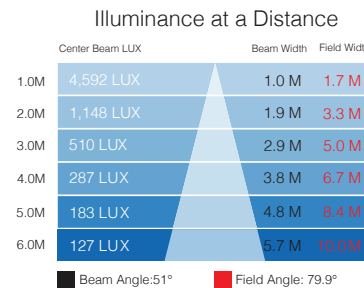
Photometric Data for X-Effects LED HO 5500K 19 Degree Lens



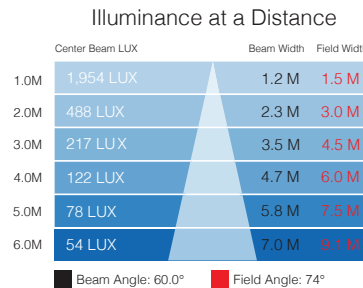
Photometric Data for X-Effects LED HO 5500K 30 Degree Lens



Photometric Data for X-Effects LED HO 5500K 50 Degree Lens



Photometric Data for X-Effects LED HO 5500K 70 Degree Lens



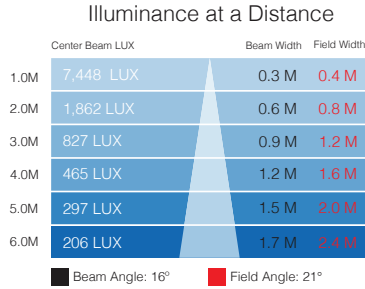
X-Effects[®] LED Projector

PHOTOMETRICS FOR 5500K & RGBW

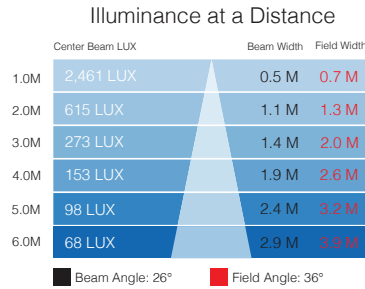


RGBW

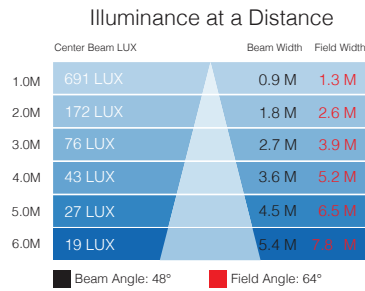
Photometric Data for X-Effects LED RGBW 19 Degree Lens



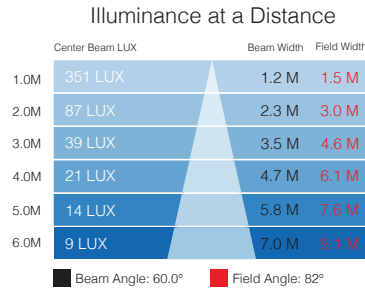
Photometric Data for X-Effects LED RGBW 30 Degree Lens



Photometric Data for X-Effects LED RGBW 50 Degree Lens

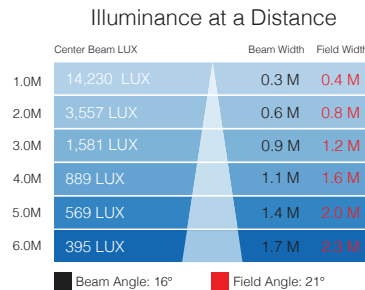


Photometric Data for X-Effects LED RGBW 70 Degree Lens

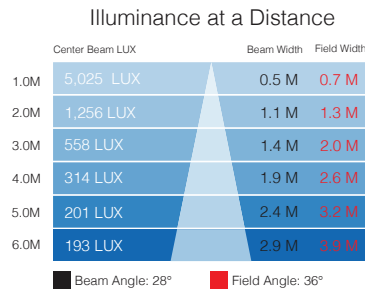


RGBW HO

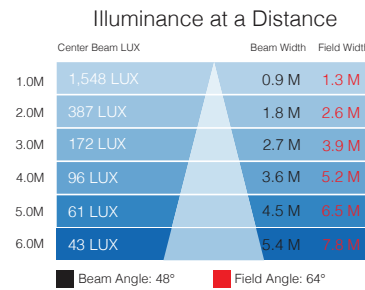
Photometric Data for X-Effects LED HO RGBW 19 Degree Lens



Photometric Data for X-Effects LED HO RGBW 30 Degree Lens



Photometric Data for X-Effects LED HO RGBW 50 Degree Lens



Photometric Data for X-Effects LED HO RGBW 70 Degree Lens

