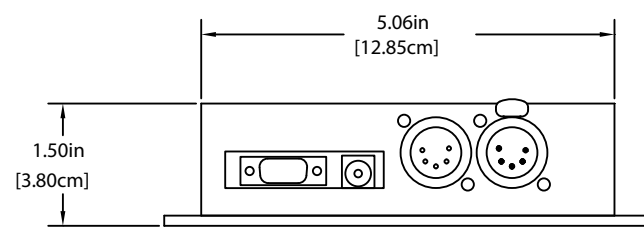
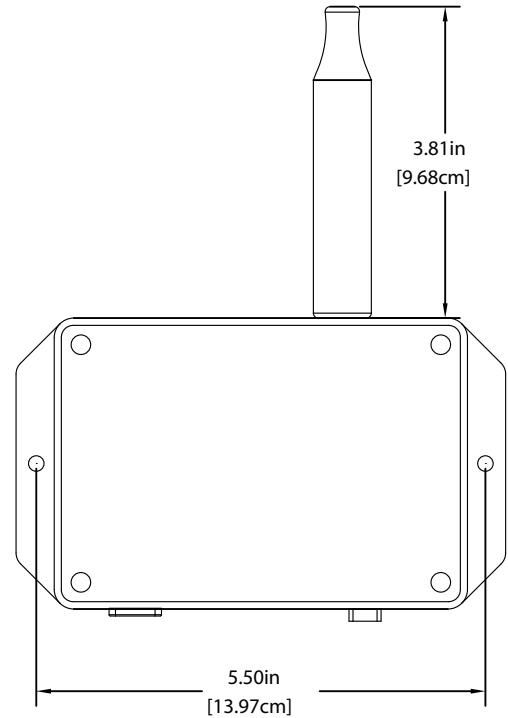
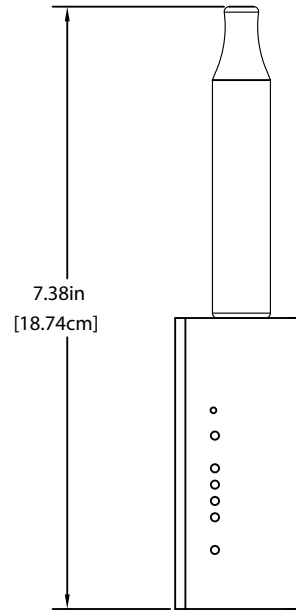



REVISIONS			
REV	DESCRIPTION	DATE	APPROVED



DRAWN BY MB	DATE DRAWN	 DESIGNED BY THE BLACK TANK		
MATERIAL NA	FINISH NA			CUBE CONNECT PROFILE
GENERAL TOLERANCES UNLESS OTHERWISE SPECIFIED	.XX .XXX ANG	SIZE A	DWG NO.	
SCALE NA		SHEET 1 OF 1		