

Class 2 LED Power Supply

Custom LitePad®



Rosco provides UL recognized Class 2 LED drivers. Their compact size and variable input voltage make them ideal for any sized project.



KEY FEATURES

- Constant voltage design
- Universal AC input / Full range
- Fully encapsulated, with an IP67 rating
- Withstand 300VAC surge input for 5 seconds
- Protections: Short circuit / Overload / Over voltage
- Fully isolated plastic case
- Cooled by free air convection
- UL1310 Class 2 power unit
- Pass LPS
- 100% full load burn-in test
- 2 years warranty

SPECIFICATIONS

Class 2 LED Power Supply	
Item Code	Description
290 63520 0005	60W Power Supply

OUTPUT

DC Voltage:	12V
Rated Current:	5A
Current Range:	0 ~ 5A
Rated Power:	60W
Ripple & Noise (Max.):	120 mVp-p
Voltage Tolerance:	±5.0%
Line Regulation:	±1.0%
Load Regulation:	±2.0%
Setup, Rise Time:	500ms, 20ms/230VAC 500ms, 20ms/115VAC at full load (for 5~36V) 500ms, 30ms/230VAC 500ms, 30ms/115VAC at full load (for 48V)
Hold Up Time (Typ.):	50ms/230VAC 16ms/115VAC at full load

INPUT

Voltage Range:	90 ~ 264VAC 127 ~ 370VDC
Frequency Range:	47 ~ 63Hz
Efficiency (Typ.):	83%
AC Current:	1.2A/115VAC 1A/230VAC
Inrush Current (Max.):	COLD START 30A/115VAC 60A/230VAC
Leakage Current:	0.25mA / 240VAC



PROTECTION

Over Current:	110 ~ 150% rated output power Protection type: Hiccup mode, recovers automatically after fault condition is removed
Over Voltage:	13.8 ~ 16.2V Protection type: Shut down o/p voltage, re-power on to recover

ENVIRONMENT

Working Temperature:	-30 ~ +70°C (Refer to output load Derating Curve)
Working Humidity:	20 ~ 90% RH non-condensing
Storage Temp., Humidity:	-40 ~ +80°C, 10 ~ 95% RH
Temp. Coefficient:	±0.03%/°C (0 ~ 50°C)
Vibration:	10 ~ 500Hz, 2G 10min./1cycle, period for 60 min. each along X, Y, Z axes

SAFETY & EMC

Safety Standards:	UL879, UL1310 Class 2 (except for LPV-60-5), CAN/CSA C22.2 No. 223-M91 (except for LPV-60-5, LPV-60-48), IP67 approved; design refer to TUV EN60950-1, EN61347-2-13
Withstand Voltage:	I/P-O/P: 3KVAC
Isolation Resistance:	I/P-O/P: >100M Ohms / 500VDC / 25°C / 70% RH
EMI Conduction & Radiation:	Compliance to EN55022 (CISPR22) Class B
Harmonic Current:	Compliance to EN61000-3-2 Class A, EN61000-3-3
EMS Immunity:	Compliance to EN61000-4-2,3,4,5,6,8,11; ENV50204, EN55024, light industry level, criteria A

OTHERS

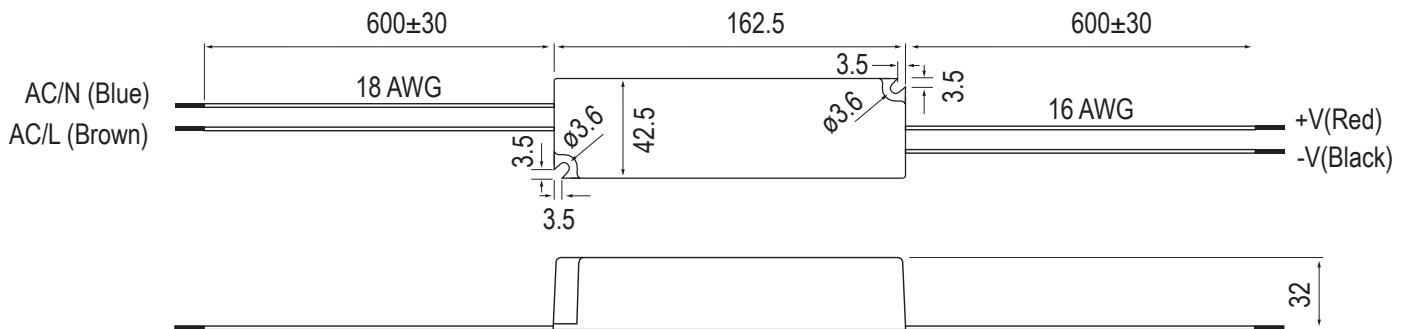
MTBF:	732Khrs min. MIL-H DBK-217F (25°C)
Dimension:	162.5mm x 42.5mm x 32mm (LxWxH)
Packing:	0.4Kg; 32pcs/13.8Kg/0.56CUFT

NOTE

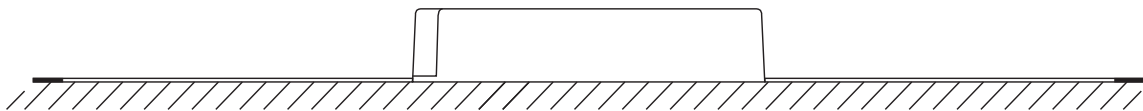
1. All parameters NOT specially mentioned are measured at 230VAC input, rated load and 25 of ambient temperature.
2. Ripple & noise are measured at 20MHz of bandwidth by using a 12" twisted pair-wire terminated with a 0.1uf & 47uf parallel capacitor.
3. Tolerance : includes set up tolerance, line regulation and load regulation.
4. Derating may be needed under low input voltage. Please check the static characteristics for more details.
5. The power supply is considered as a component that will be operated in combination with final equipment. Since EMC performance will be affected by the complete installation, the final equipment manufacturers must re-qualify EMC Directive on the complete installation again.
6. Length of set up time is measured at first cold start. Turning ON/OFF the power supply may lead to increase of the set up time.
7. In the European market this product is only suitable for LED lighting applications that don't have to comply with the harmonic current requirements of EN61000-3-2 Class C.
8. Suitable for indoor use or outdoor use without direct sunlight exposure. Please avoid immerse in the water over 30 minute.

MECHANICAL SPECIFICATION

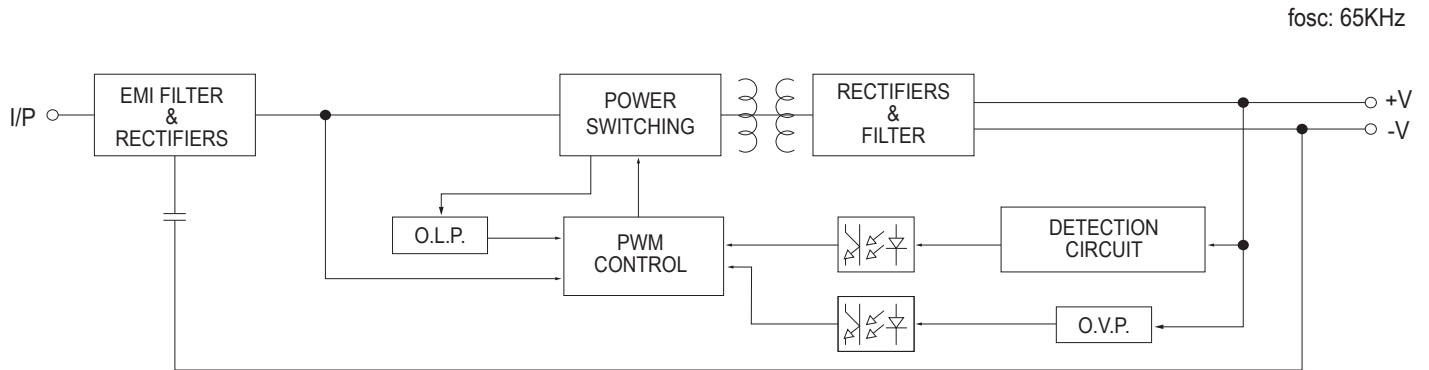
Unit:mm



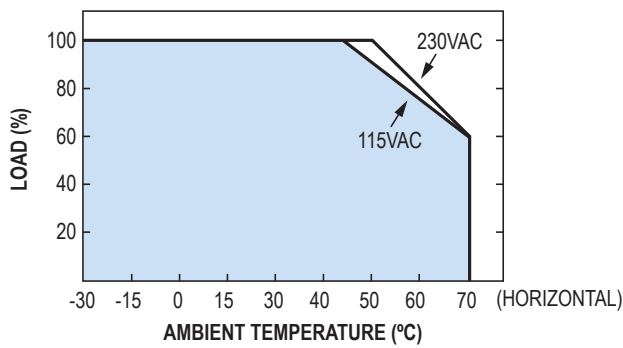
RECOMMENDED MOUNTING DIRECTION



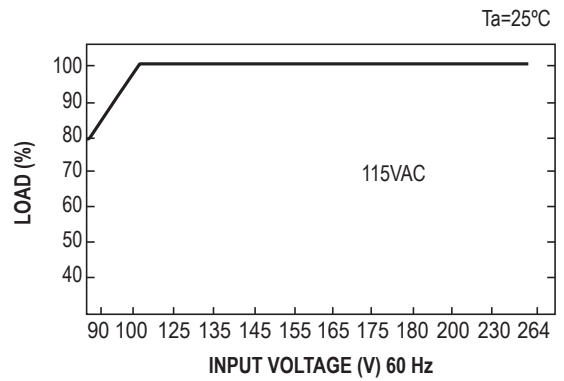
BLOCK DIAGRAM



DERATING CURVE



STATIC CHARACTERISTICS



Name: _____ Date: _____

Company Name: _____

Project: _____